

# DROP

## Reverse Osmosis System



### Pure and Simple

DROP has elevated your standard Reverse Osmosis System to a whole new level. The DROP RO offers quick change for the filters and the RO Membrane.

Text, email or push notifications notify when it's time to change your filter.



### Features

- Quick Change Filters & RO Membrane
- Built-in Leak Protection
- TDS Monitoring of Feed & Product Water
- Text, Email & Push Notifications for Filter Changeouts
- Atmospheric Storage – No Backpressure On Membrane for faster RO water production
- Built in Feed & Delivery Pumps for Optimal Pressure
- WiFi Connectivity Through DROP Hub

### Benefits

This simple system fits right under your sink and gives you crystal clear, great tasting water. The DROP RO does this by reducing contaminants including chlorine, lead, pesticides, fluoride, pharmaceuticals, arsenic and bacteria. Additionally, the RO eliminates the sediment in your water.

The DROP RO will give you water with improved taste, odor and appearance.

### DROP Booster Pump

The DROP RO Booster Pump has been designed to allow the DROP RO filter to supply water to any RO faucet, and to be able to supply a refrigerator with water for an ice maker.



## Model

**D-RO**

### Dispenser Pump Flow Rate

0.6 gpm

### Production Rate

75 gallons per day

### Efficiency Rating

1:1 (most RO filters are 4:1)

### Maximum TDS

1000 ppm

### Drain (reject water) Flow

0.1 GPM (only while filtering)

### Storage Tank Capacity

2.1 gallons

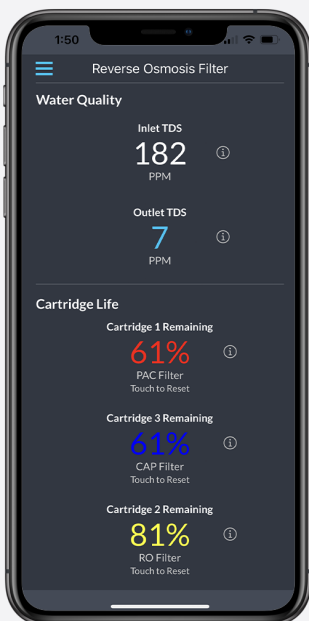
### Dimensions

14.5" X 8.5" X 15"

### Weight

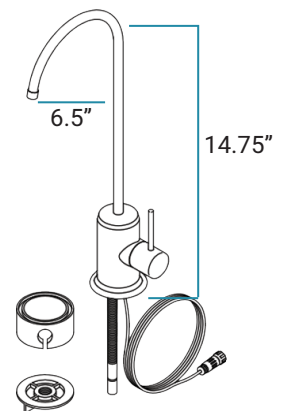
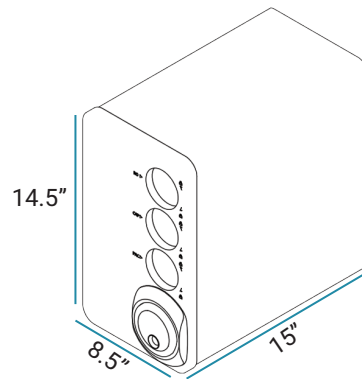
22 lbs

Cartridge	Treatment	Filtration	Water	pH Level
<b>RO-RO</b>	Removes small molecular organic matter, colloids, microorganisms	0.0001 micron	41 ° - 95 ° F	NA
<b>RO-CAP</b>	Removes odor to improve the taste of drinking water	1 micron	41 ° - 95 ° F	NA
<b>RO-PAC</b>	Removes dirt corrosion, sand, chlorine and other suspended solids	5 microns	41 ° - 95 ° F	NA
<b>RO-MPC (Optional)</b>	Cartridge boosts the pH and adds beneficial minerals magnesium and calcium to the drinking water	NA	41 ° - 95 ° F	7.5-8



The DROP App's Dashboard gives you direct access to your drinking water quality and cartridge status, all in one convenient location.

DROP offers both a web and a mobile app. This gives you total control over your Reverse Osmosis System from anywhere in the world, at any time, on your computer, or on your mobile app. See everything from the custom dashboard, receive usage alerts and reports, find support, get onboarding and troubleshooting tips, -and much, much more.



# DROP

Chandler Systems Inc.  
710 Orange St.  
Ashland, OH 44805

P | 833-289-3767  
F | 419-281-2375  
drop.pro  
chandlersystemsinc.com



For the most up-to-date list of patents, visit our patents on our website: [drop.pro/patents](http://drop.pro/patents)

